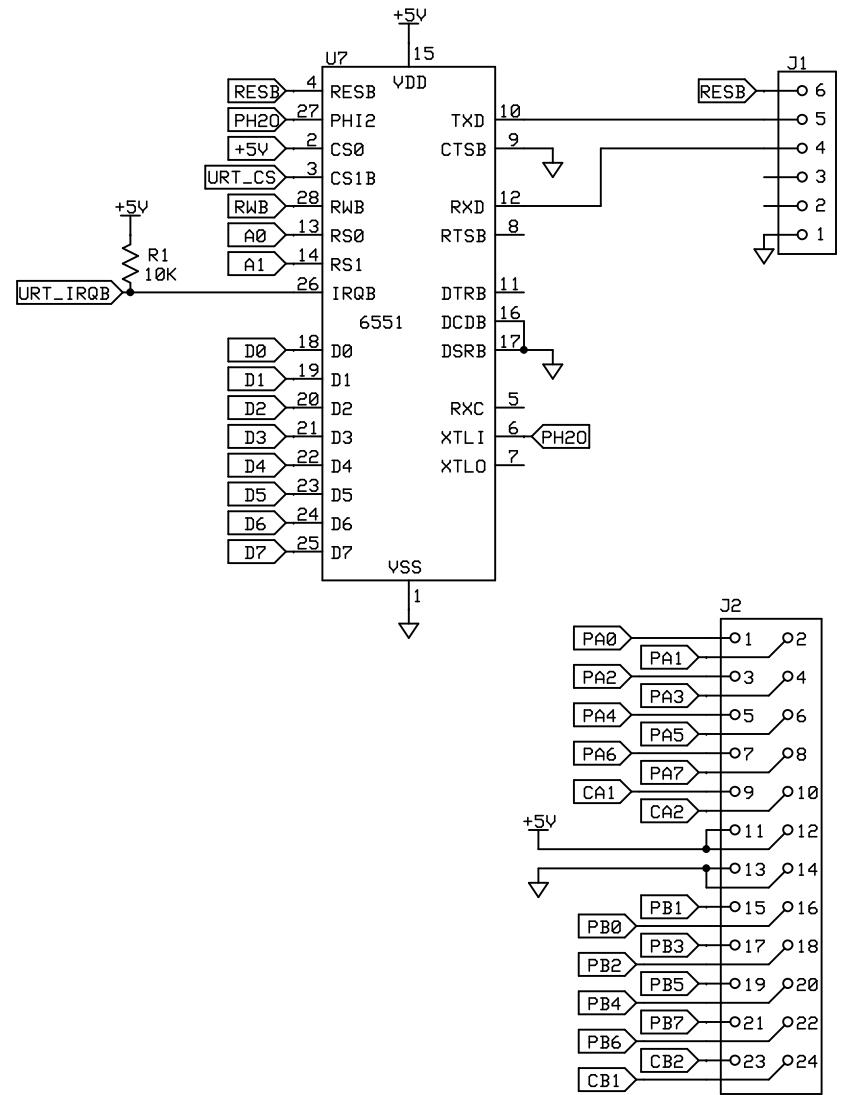
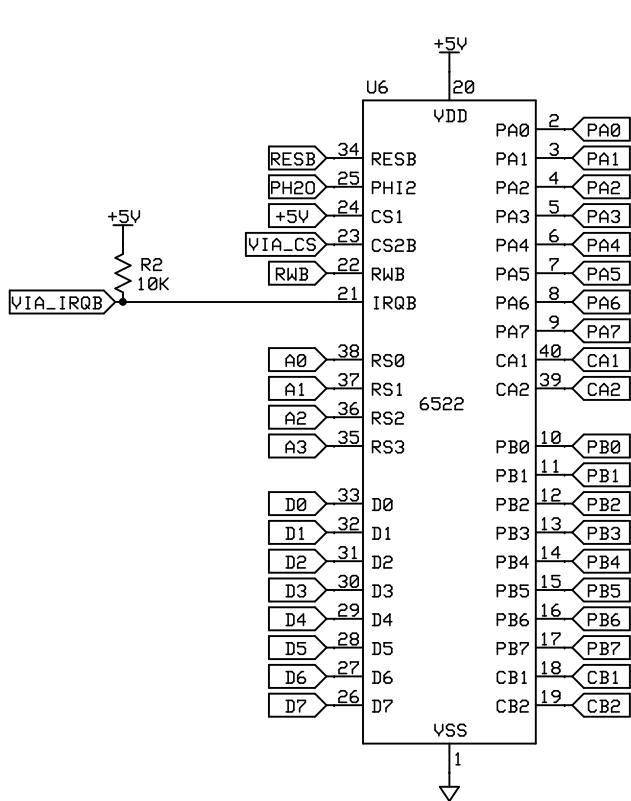


```

RAM_CS [0000] = CLK & !A15
ROM_CS [C000] = CLK & A15 & A14
VIA_CS [8000] = A15 & !A14 & !A4
URT_CS [A000] = A15 & !A14 & A4

```



Christle Engineering

Mini 6502

Mike Christle

Rev 5
2/15/2016

Page 2 of 2