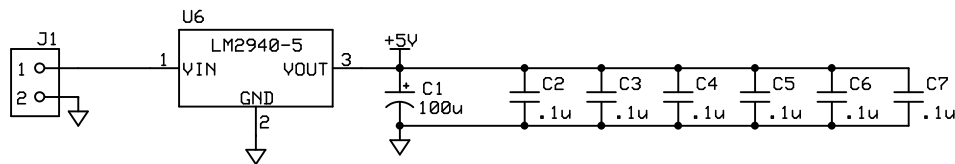
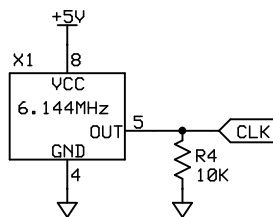
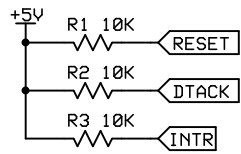


!RAM_OE = !MREQ & A15 & !RD
 !INTA = !IORQ & !M1
 !URT_CS = !IORQ & M1
 !URT_WE = !WR # (!URT_CS & !URT_WE)
 !RAM_WE = !MREQ & A15 & !WR
 !ROM_OE = !MREQ & !A15 & !RD
 !WAIT = !URT_CS & DTACK

Memory Map
 ROM 0000-7FFF
 RAM 8000-FFFF
 UART 00-0F



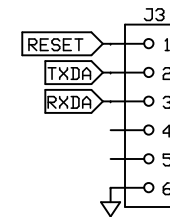
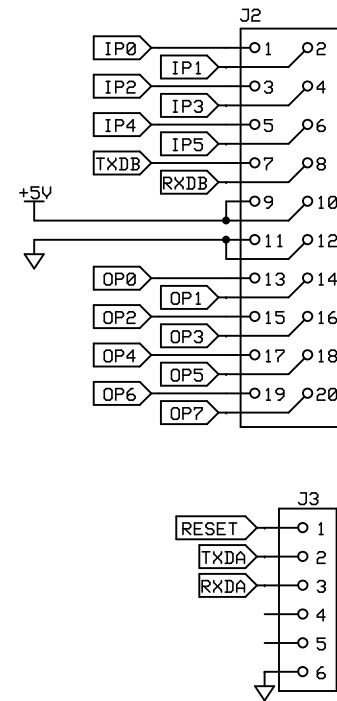
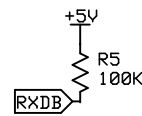
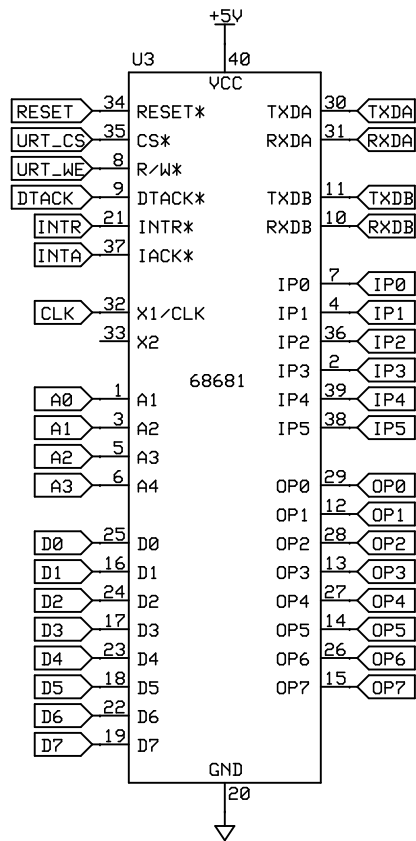
Christle Engineering

Mini Z80

Mike Christle

Rev 3.0
3/24/2016

Page 1 of 2



Christle Engineering

Mini Z80

Mike Christle

Rev 3.0
3/24/2016

Page 2 of 2